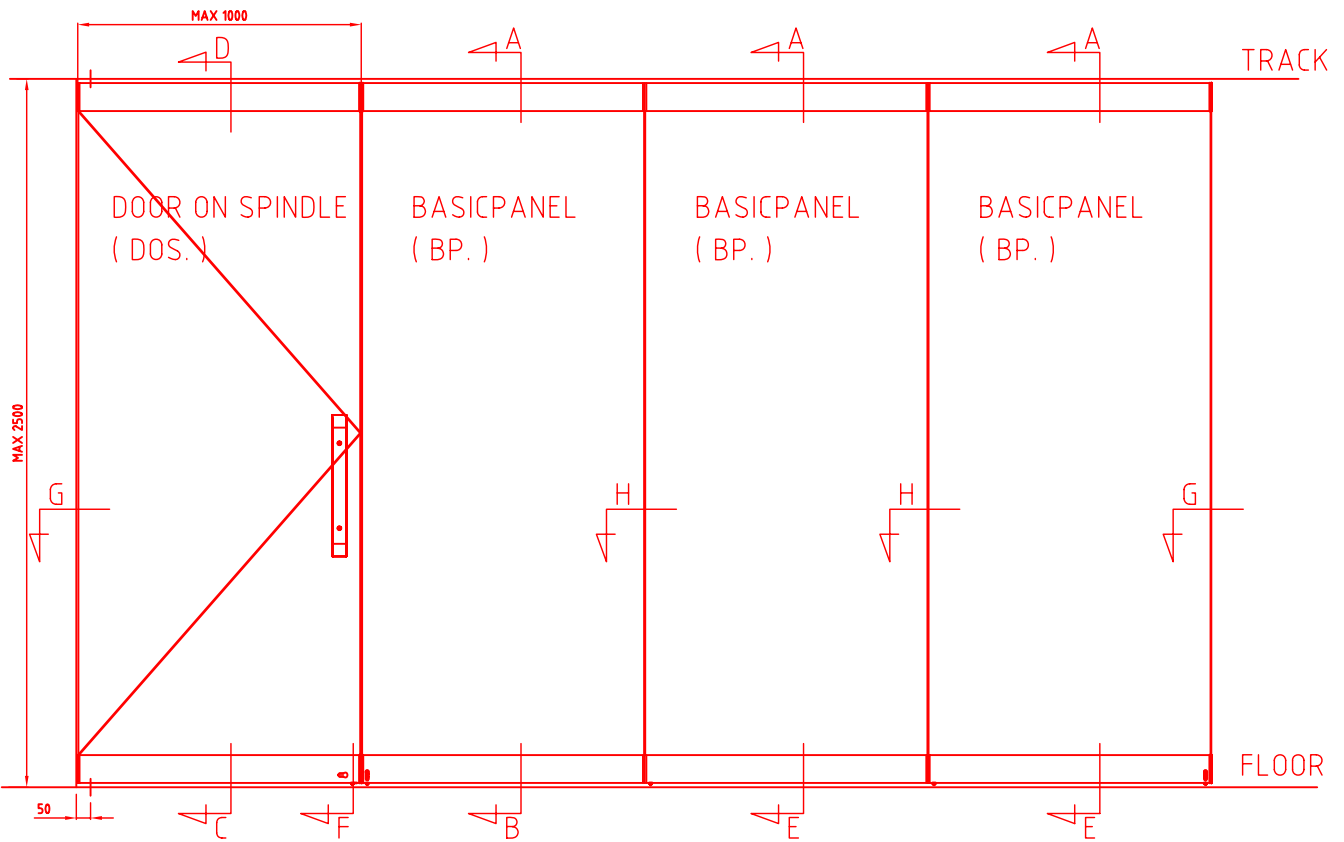
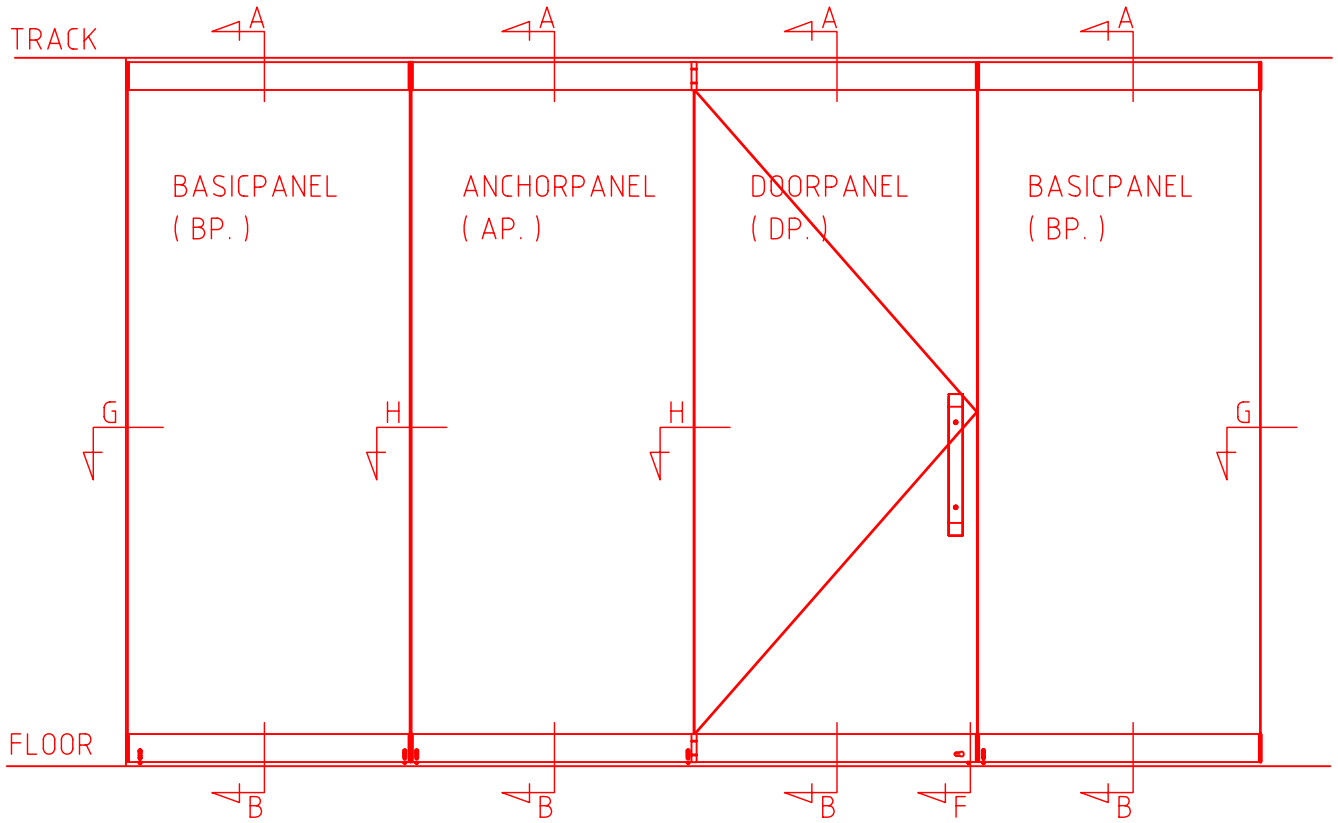


DELIVERABLE IN 2-POINT SUSPENSION



DELIVERABLE IN 1 AND 2-POINT SUSPENSION

SUBJECT: VISIO MOBILE GLAS PARTITION

**ESPERO**  
MOBILE PARTITIONS

Espero B.V.  
P.O. Box 576  
5140 AN Waalwijk.

Phone: +31(0)416-338955  
Fax.: +31(0)416-332635  
www.espero.nl  
E-mail: info@espero.nl

Drawn by.: SvdW

Type: Visio

Scale

Date

Sheet

A4

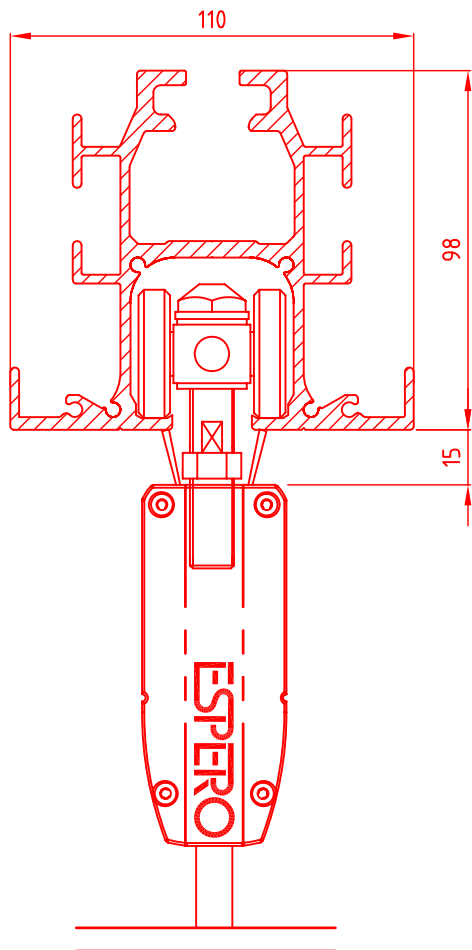
Drawing no.

---

07-07-'06

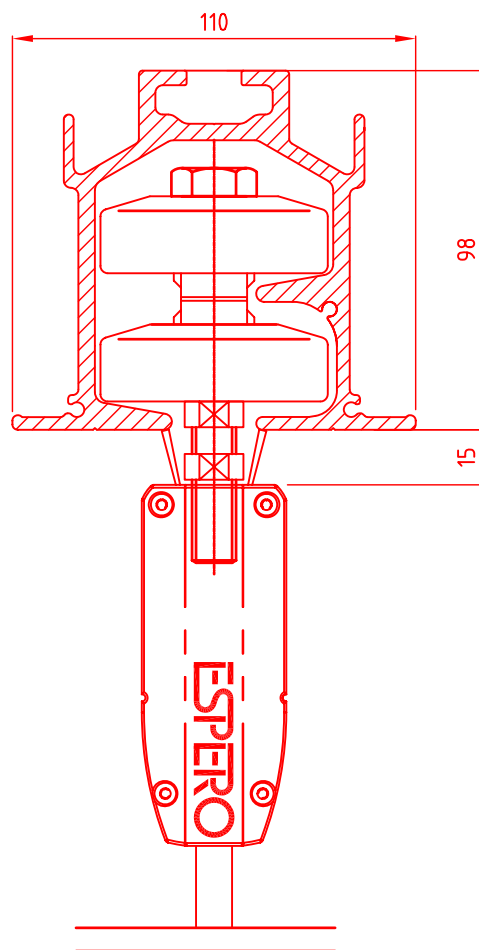
1

V.01



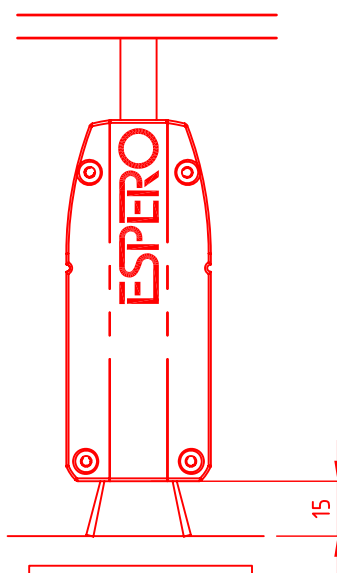
DETAIL A

1-POINT SUSPENSION TRACK



DETAIL A

2-POINT SUSPENSION TRACK



DETAIL B

SUBJECT: VISIO - (A) SECTION THROUGH 1-POINT + 2-POINT SUSPENSION TRACK  
 - (B) SECTION THROUGH BOTTOM SEAL

**ESPERO**  
 MOBILE PARTITIONS

Espero B.V.  
 P.O. Box 576  
 5140 AN Waalwijk.

Phone: +31(0)416-338955  
 Fax.: +31(0)416-332635  
 www.espero.nl  
 E-mail: info@espero.nl

Drawn by.: SvdW

Type: Visio

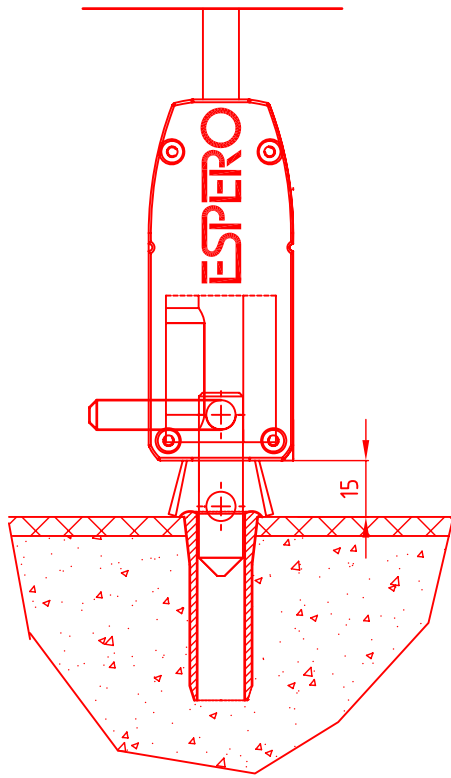
Scale  
 1:2

Date  
 07-07-'06

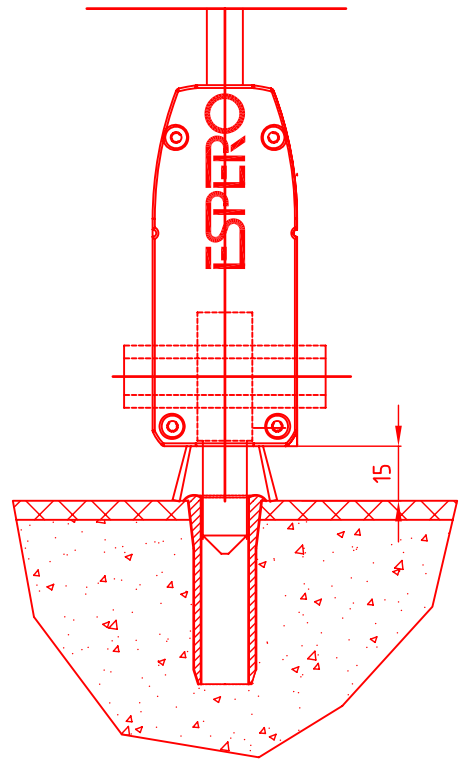
Sheet  
 2

A4

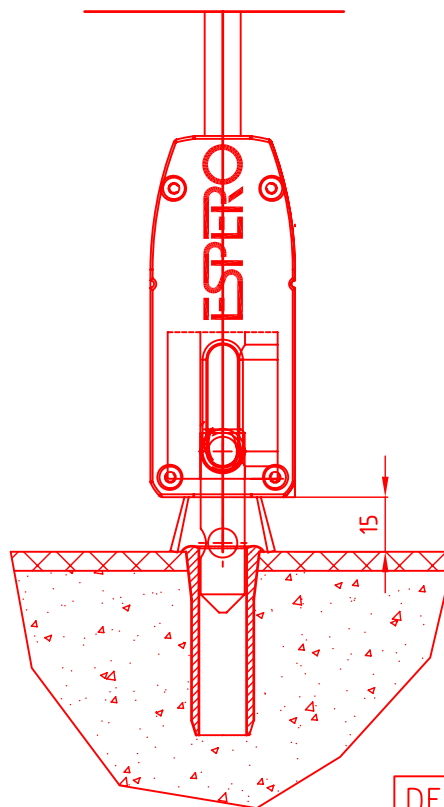
Drawing no.  
 V.02



DETAIL B  
LOCK IN SIGHT



DETAIL F  
DOOR WITH CYLINDERLOCK



DETAIL E  
LOCK OUT OF SIGHT

SUBJECT: VISIO - (B) SECTION THROUGH LOCK IN SIGHT  
 - (E) SECTION THROUGH LOCK OUT OF SIGHT  
 - (F) SECTION THROUGH DOOR WITH CYLINDER LOCK

**ESPERO**  
MOBILE PARTITIONS

Espero B.V.  
P.O. Box 576  
5140 AN Waalwijk.

Phone: +31(0)416-338955  
Fax.: +31(0)416-332635  
www.espero.nl  
E-mail: info@espero.nl

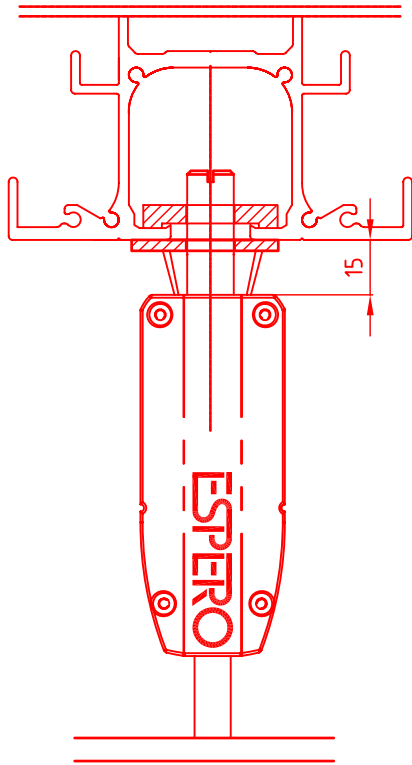
Drawn by.: SvdW

Scale 1:2  
Date 07-07-'06

Type: Visio

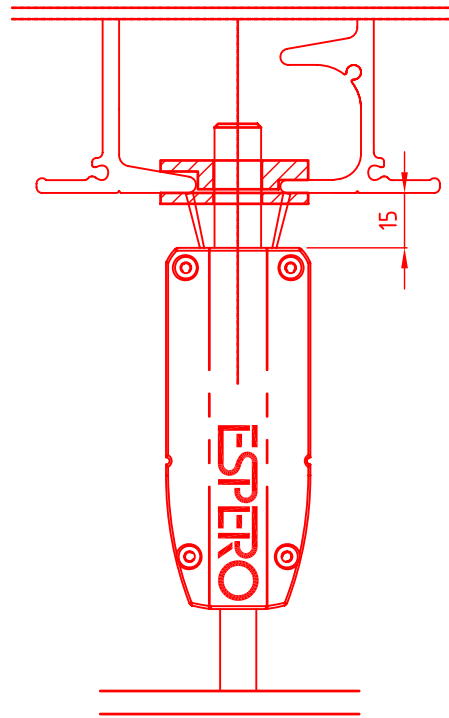
Sheet 3  
A4

Drawing no. V.03



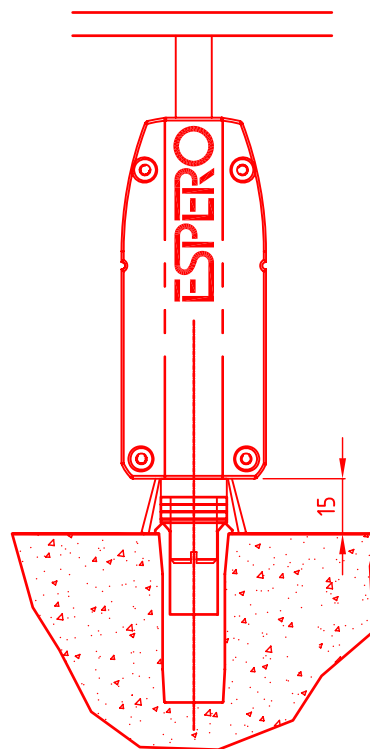
DETAIL D

DOOR ON SPINDLE WITH 1-POINT SUSPENSION



DETAIL D

DOOR ON SPINDLE WITH 2-POINT SUSPENSION



DETAIL C

BOTTOM OF DOOR ON SPINDLE

SUBJECT: VISIO - ⓐ SECTION THROUGH DOOR ON SPINDLE ( TOPSPINDLE )  
 - ⓐ SECTION THROUGH DOOR ON SPINDLE ( BOTTOMSPINDLE )

**ESPERO**

MOBILE PARTITIONS

Espero B.V.  
 P.O. Box 576  
 5140 AN Waalwijk.

Phone: +31(0)416-338955  
 Fax.: +31(0)416-332635  
 www.espero.nl  
 E-mail: info@espero.nl

Drawn by.: SvdW

Type: Visio

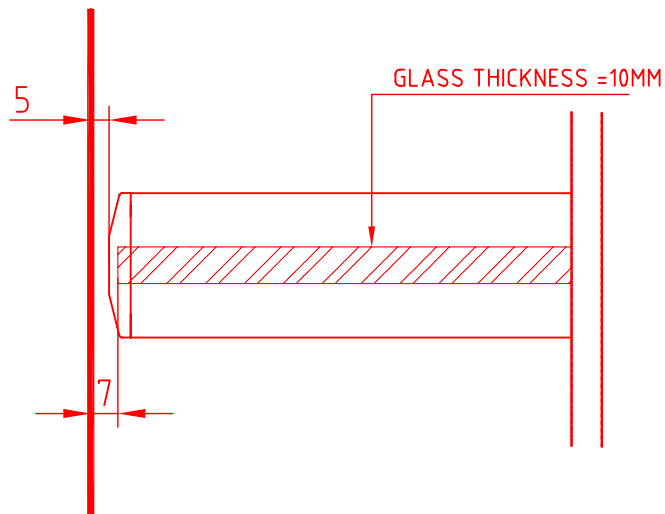
Scale  
 1:2

Date  
 07-07-'06

Sheet  
 4

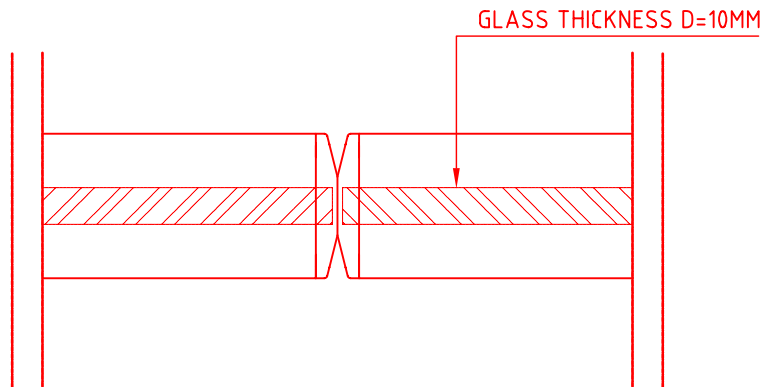
A4

Drawing no.  
 V.04



DETAIL G

JUNCTION BETWEEN FIXED WALL AND FIRST PANEL



DETAIL H

JUNCTION BETWEEN TWO PANELS

SUBJECT: VISIO - Ⓒ JUNCTION BETWEEN FIXED WALL AND FIRST PANEL  
 - Ⓓ JUNCTION BETWEEN TWO PANELS

**ESPERO**  
 MOBILE PARTITIONS

Espero B.V.  
 P.O. Box 576  
 5140 AN Waalwijk.

Phone: +31(0)416-338955  
 Fax.: +31(0)416-332635  
 www.espero.nl  
 E-mail: info@espero.nl

Drawn by.: SvdW

Type: Visio

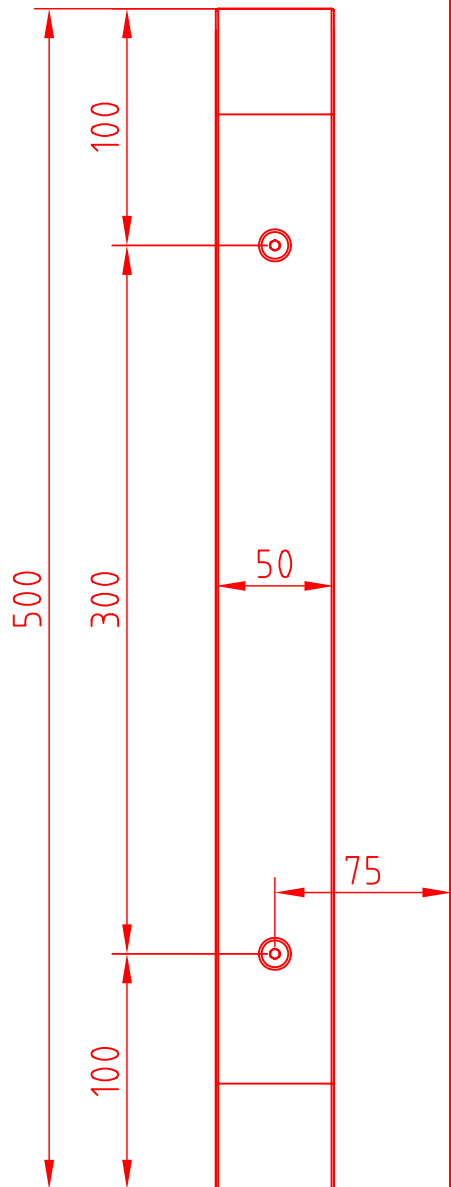
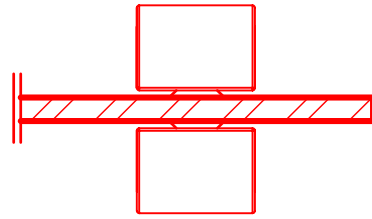
Scale  
 1:2

Date  
 07-07-'06

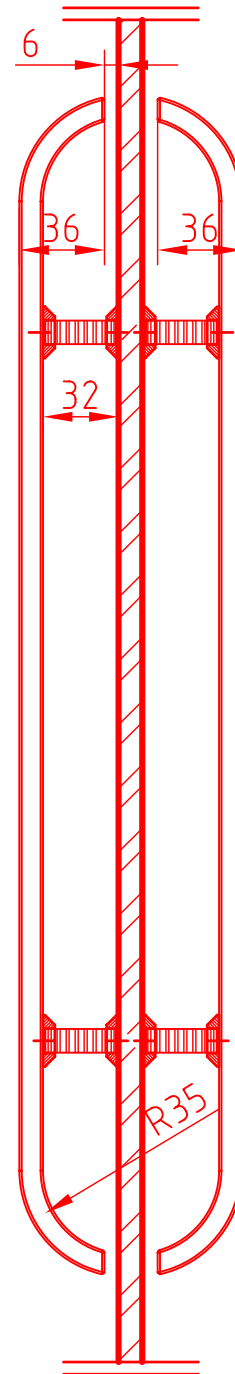
Sheet  
 5

A4

Drawing no.  
 V.05



SIDE OF GLASS



SUBJECT: STANDARD DOORHANDLE FOR A VISIO GLASS PARTITION

**ESPERO**  
MOBILE PARTITIONS

Espero B.V.  
P.O. Box 576  
5140 AN Waalwijk.

Phone: +31(0)416-338955  
Fax.: +31(0)416-332635  
www.espero.nl  
E-mail: info@espero.nl

Drawn by.: SvdW

Type: Visio

Scale  
---

Date  
07-07-'06

Sheet  
6

A4

Drawing no.  
V.06