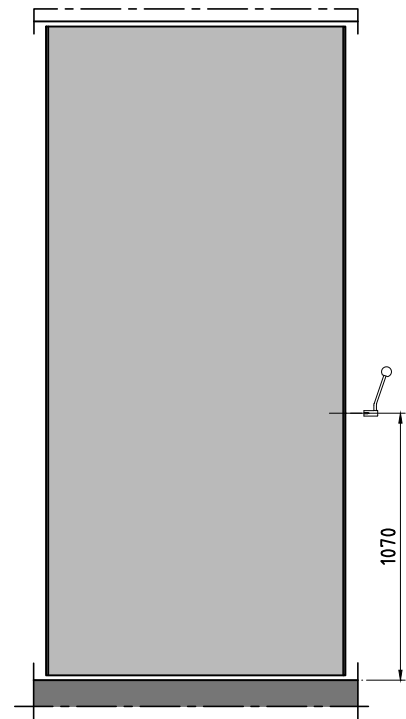
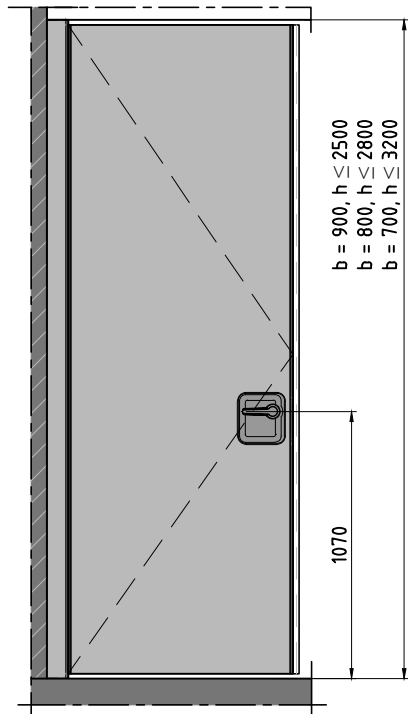


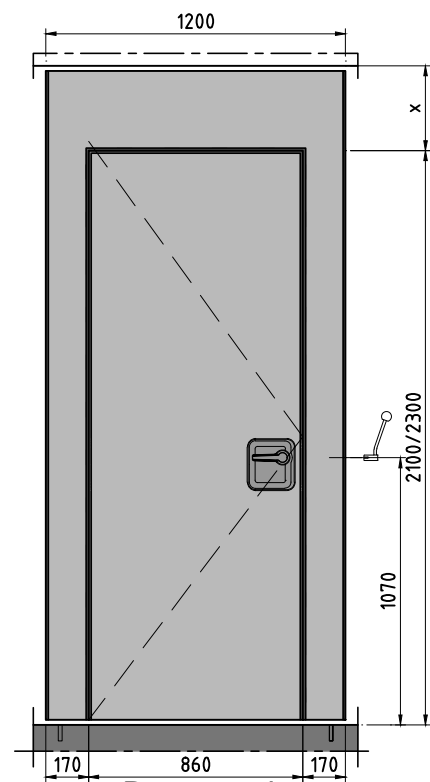
Telescopic panel



Basic panel



Communication panel



Door panel

Manuel, x = min 340mm / Semi-automatic, x = min 410mm

ESPERO

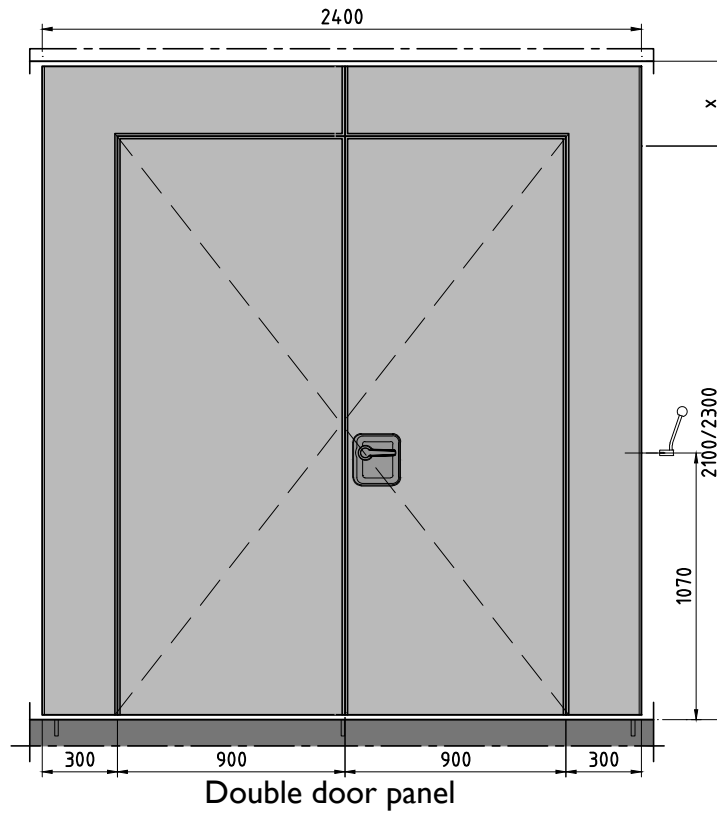
Espero BV
Postbus 576
5140 AN Waalwijk

T +31 (0)416 338955 info@espero.nl www.espero.nl • mobiele wanden

Type: Sonico 85

Date: 25-11-13

Drawing no: 85.01



Manuel, x = min 340mm / Semi-automatic, x = min 410mm

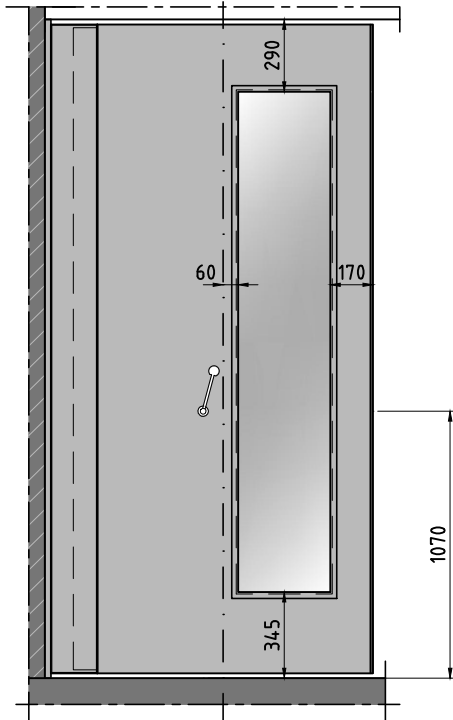
ESPERO

Espero BV
Postbus 576
5140 AN Waalwijk

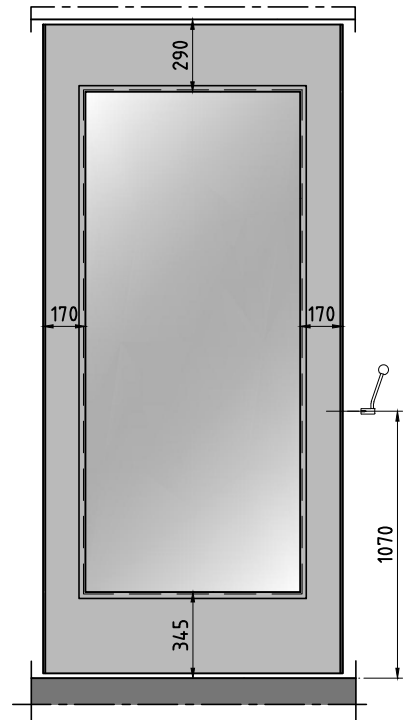
Type: Sonico 85

Date: 25-11-13

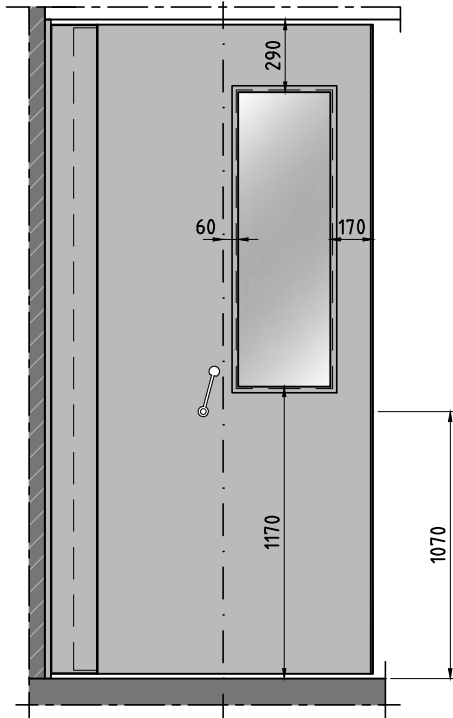
Drawing no: 85.02



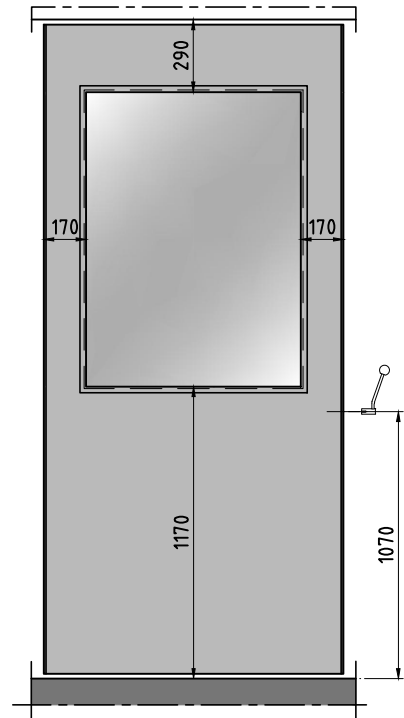
Telescopic panel - maximum glass opening



Basic panel - maximum glass opening



Telescopic panel - standard glass opening



Basic panel - standard glass opening

ESPERO

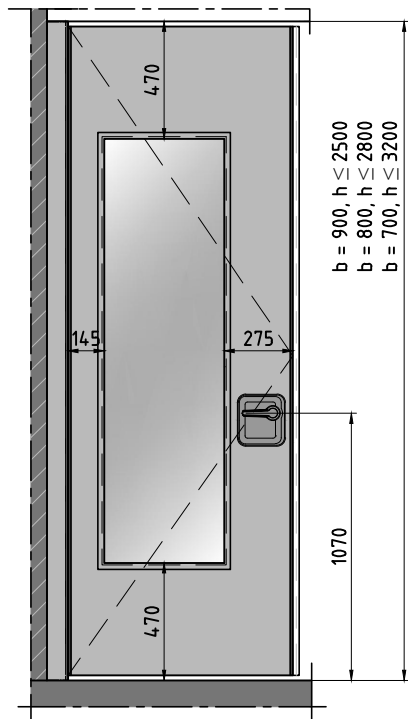
Espero BV
Postbus 576
5140 AN Waalwijk

T +31 (0)416 338955 info@espero.nl www.espero.nl • mobiele wanden

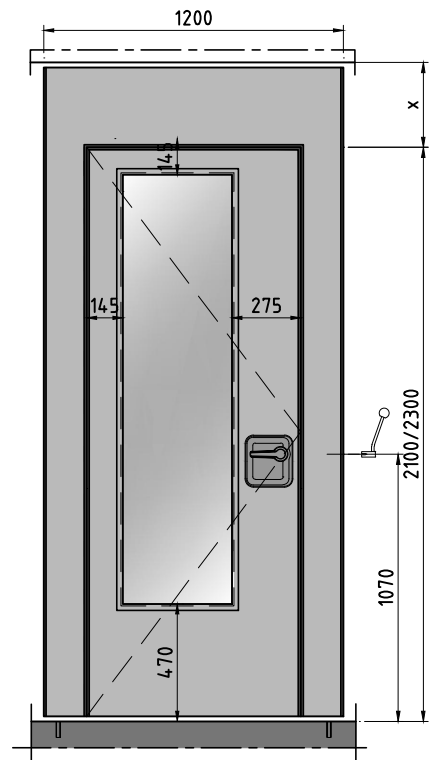
Type: Sonico 85

Date: 25-11-13

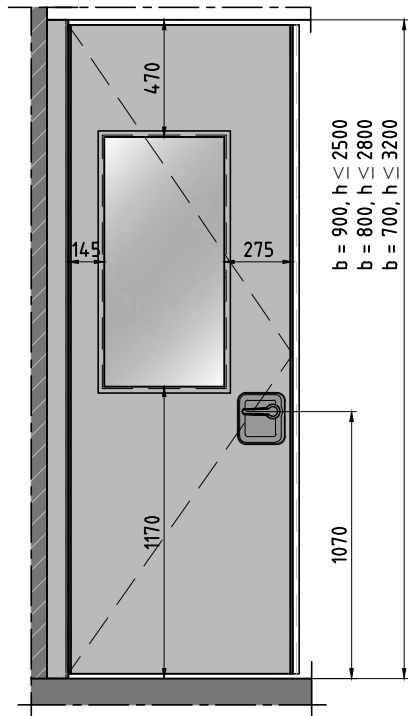
Drawing no: 85.03



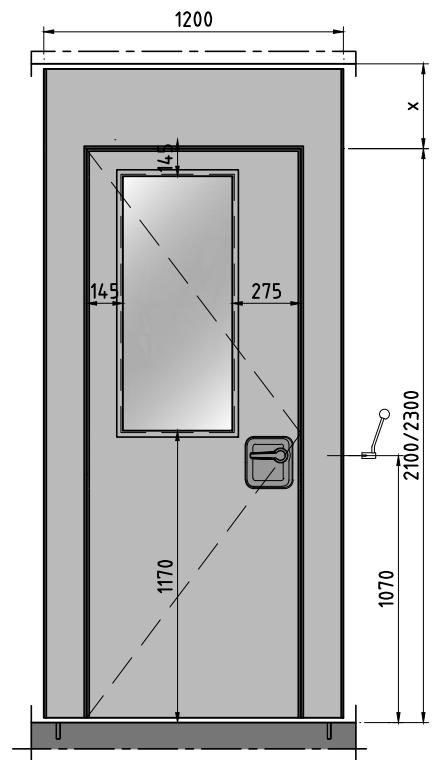
Communication panel - maximum glass opening



Door panel - maximum glass opening



Communication panel - standard glass opening



Door panel - standard glass opening

Manuel, x = min 340mm / Semi-automatic, x = min 410mm

ESPERO

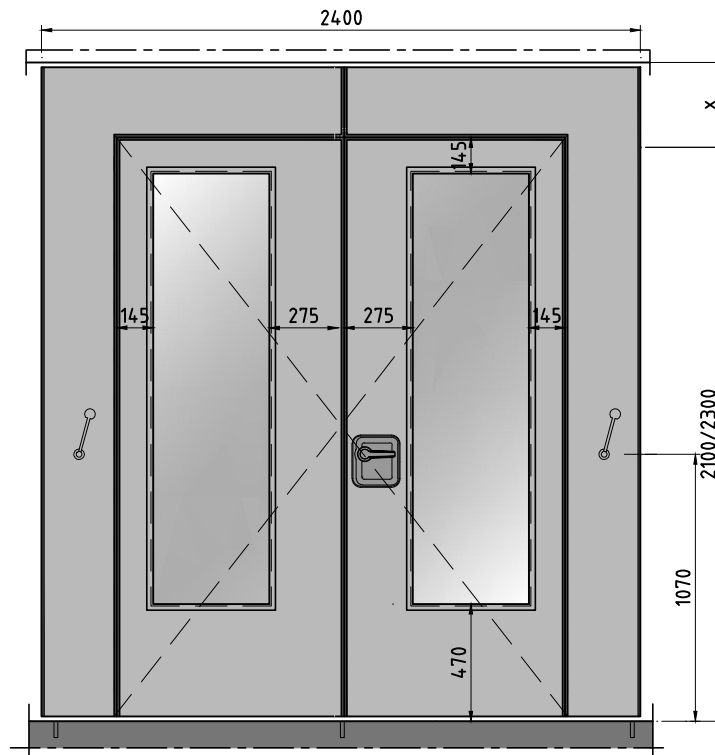
Espero BV
Postbus 576
5140 AN Waalwijk

T +31 (0)416 338955 info@espero.nl www.espero.nl • mobiele wanden

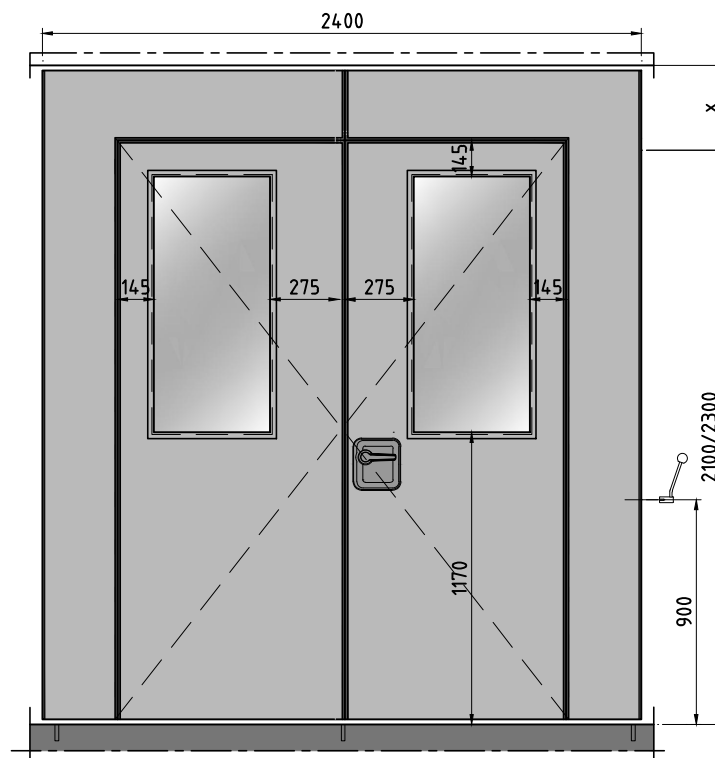
Type: Sonico 85

Date: 25-11-13

Drawing no: 85.04



Double door panel - maximum glass opening



Double door panel - standard glass opening

Manuel, x = min 340mm / Semi-automatic, x = min 410mm

ESPERO

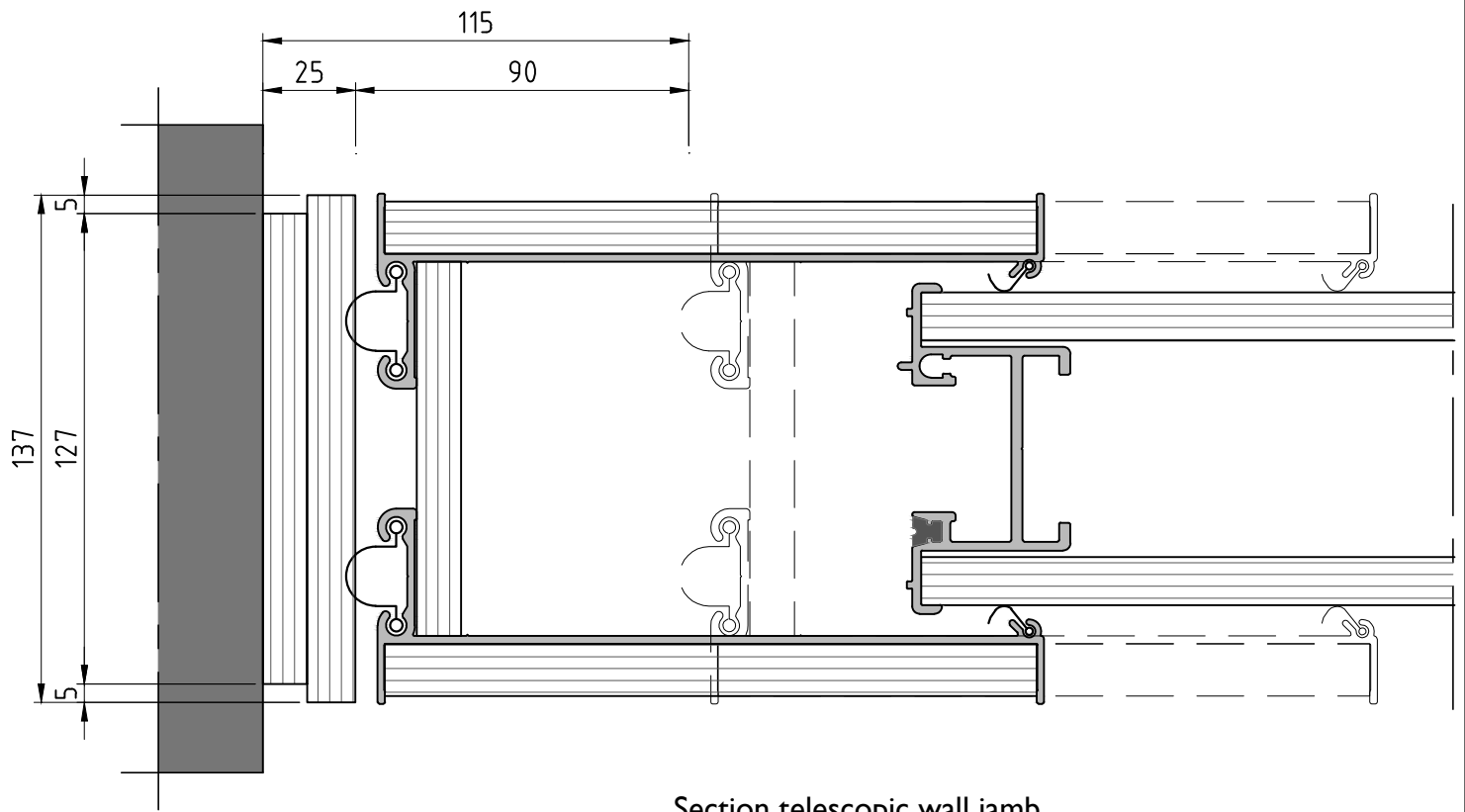
Espero BV
Postbus 576
5140 AN Waalwijk

Type: Sonico 85

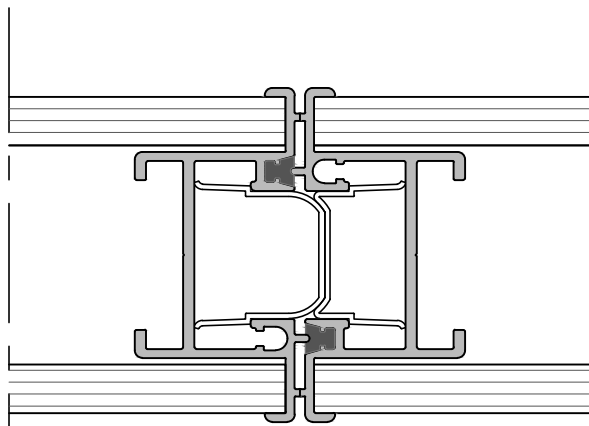
Date: 25-11-13

Drawing no: 85.05

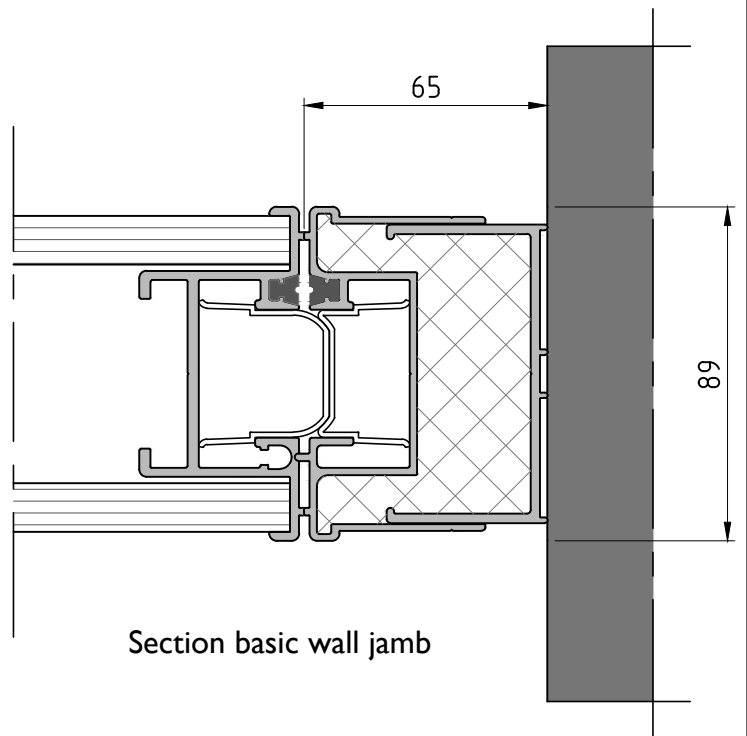
T +31 (0)416 338955 info@espero.nl www.espero.nl • mobiele wanden



Section telescopic wall jamb



Section standard basic panel joint



Section basic wall jamb

ESPERO

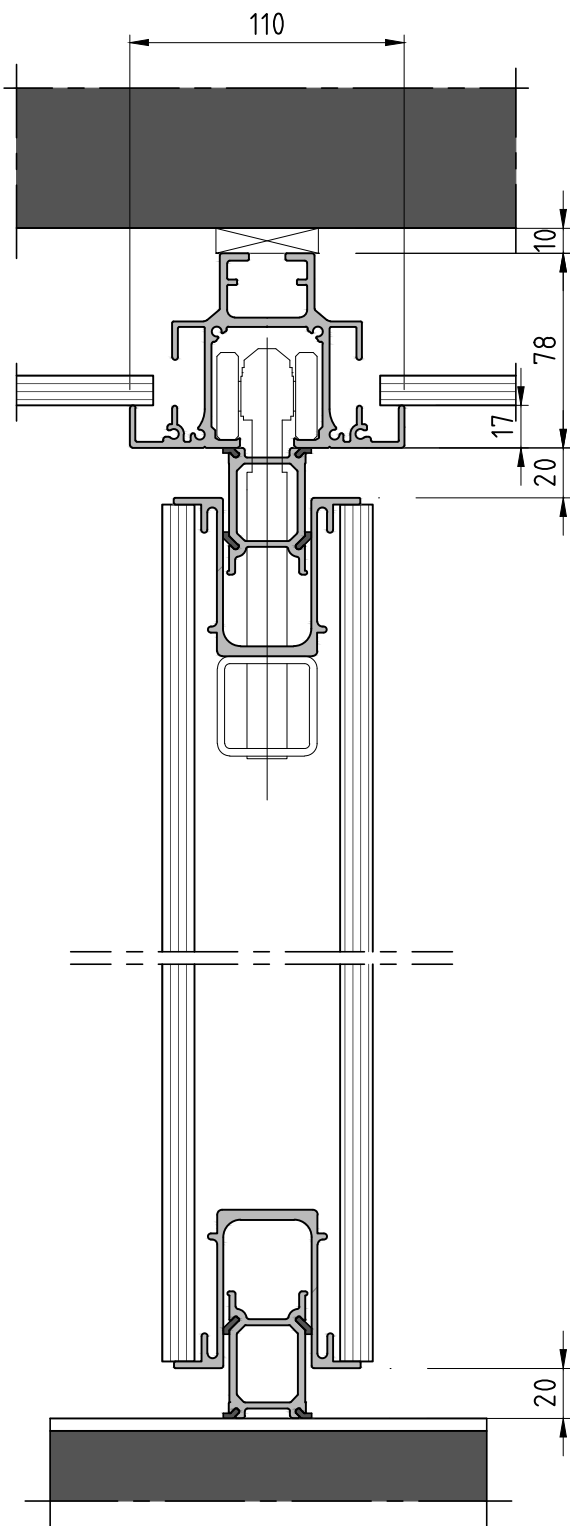
Espero BV
Postbus 576
5140 AN Waalwijk

T +31 (0)416 338955 info@espero.nl www.espero.nl • mobiele wanden

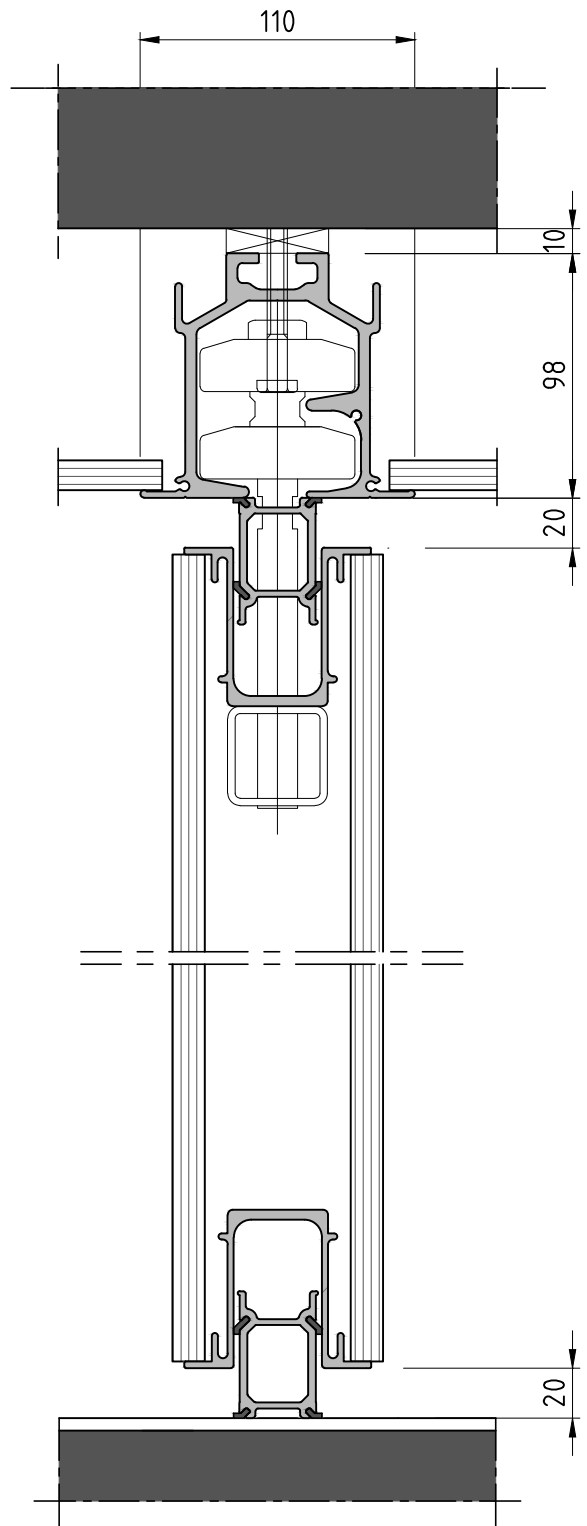
Type: Sonico 85

Date: 25-11-13

Drawing no: 85.06



1-point suspension



2-point suspension

Please note: track fixation is an example. Please see suspension details for possibilities.

ESPERO

Espero BV
Postbus 576
5140 AN Waalwijk

T +31 (0)416 338955 info@espero.nl www.espero.nl • mobiele wanden

Type: Sonico 85

Date: 25-11-13

Drawing no: 85.07